
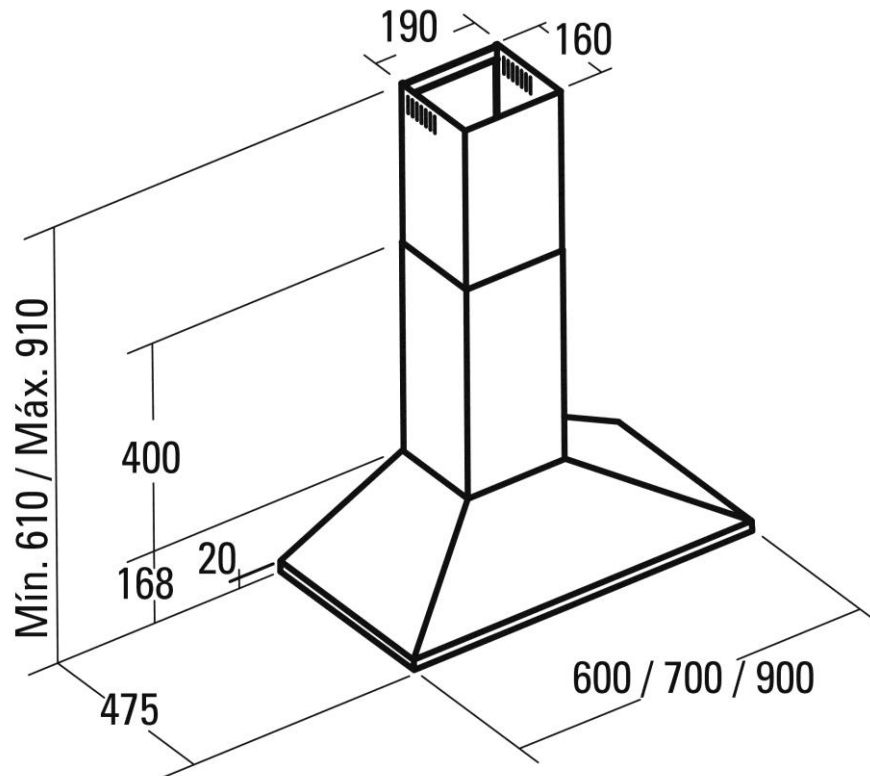


SPECIFICATION SHEET - appliances

BRAND:	cataC	Product Photo: 
ORIGIN:	SPAIN	
SERIES:	V600	
PRODUCT DESCRIPTION:	Decorative hood inox 600mm, with: - mechanical control panel, - 3 speeds max. 420 M ³ /h extraaction - metal filters - 2 x 40w halogen lamps	
MODEL No.	0206.1302	
FINISH/COLOUR:	Finish stainless steel	
DIMENSIONS:	600 x 475 x 568mm	
OPTIONAL MATCHING PARTS:		

Technical Informations:

Voltage: 220V / 50~60 Hz
 Power: 95W
 Phase: single+grounding



REMINDER:	Do not use cleaners containing abrasive cleansers, ammonia, bleach, acids, waxes, alcohol, solvents or other products not recommended for chrome.
	All information is for reference only, installation shall always be based on the actual product delivered.